



IY180-IY240-IY280

High efficient softmount washer-extractors

**INDUSTRIAL
BY DESIGN**

Features

- Freestanding, high spin
- Stainless steel top and front panel, black side panels
- Stainless steel drum and tub
- Aries - easy to use microprocessor
- Patented soap hopper
- High capacity water inlets (IY280)
- Large drain valve (Ø76 mm)
- Easy access to all vital parts from the front
- Large door opening for easy loading & unloading

Options

- Aries Elite - Fully programmable
- Coin operated
- Stainless steel side panels
- USB plug (on the back panel)
- Liquid soap connection
- Liquid soap pumps
- Water recovery kit
- Steam heating version
- 3rd water inlet
- High capacity water inlets (IY180, 240)



ERGONOMICAL
CONSTRUCTION



LARGE DOOR
OPENING



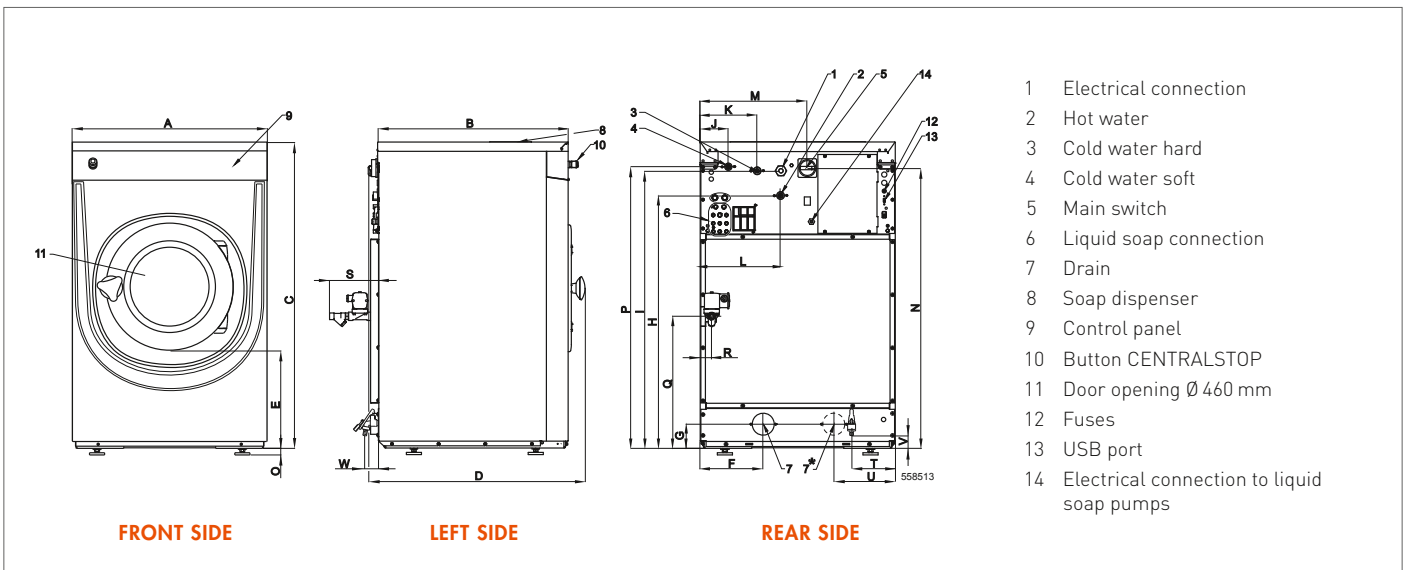
LOW WATER
CONSUMPTION



LOW ENERGY
CONSUMPTION

IY180-IY240-IY280

TYPE		IY180	IY240	IY280
INNERDRUM				
capacity	kg	18	24	28
volume	l	180	240	280
diameter	mm	750	750	750
DRUM SPEED				
wash	rpm	42	42	42
extraction	rpm	915 (350 G)-980 (400 G)	915 (350 G)-980 (400 G)	915
G-FACTOR		350 (optional 400)	350 (optional 400)	350
HEATING				
electricity	kW	18	18	22
steam	bar	1-8	1-8	1-8
hot water	°C	90	90	90
SOUND PRESSURE LEVEL				
	dB (A)	< 65	< 65	< 65
WATER VALVES CONNECTION				
	BSP	3/4"	3/4"	3/4"
WATER PRESSURE				
	kPa	100-800	100-800	100-800
REC. WATER PRESSURE				
	kPa	300-500	300-500	300-500
WATER INLET				
	l/min	20	20	20-50
DRAIN VALVE OUTER				
	Ø mm	76	76	76
FLOW AMOUNT WITH DRAIN VALVE				
	l/min	210	210	210
STEAM VALVE CONNECTION				
	BSP	1/2"	1/2"	1/2"
STEAM PRESSURE				
	kPa	100-800	100-800	100-800
DIMENSIONS HxWxD				
	mm	1410x970x970	1410x970x1105	1410x970x1185
TRANSPORT DATA				
gross	kg	395	450	515
net	kg	380	430	495
packed HxWxD	mm	1550 x 1025 x 1015	1550 x 1025 x 1150	1550 x 1025 x 1225



DIMENSIONS

	A	B	C	D	E	F	G	H	I	J	K	L	M	N	O
IY180	970	970	1410	906	477	270	108,5	1215	1297,5	102,5	208	293	610	1315	24
IY240	970	1105	1410	1041	477	270	108,5	1215	1297,5	102,5	208	293	610	1315	24
IY280	970	1185	1410	1116	477	270	108,5	1215	1305	102,5	208	293	610	1315	24
	width	depth	height												