



IA80 - IA105 - IA135

High efficient hardmount industrial washer-extractors

**INDUSTRIAL
BY DESIGN**

Features

- Rigid mounted, normal spin, 100 G-factor
- Stainless steel top and front panel, black side panels
- Stainless steel drum and tub
- Aries - easy to use microprocessor
- Patented soap hopper
- Large drain valve (Ø 76 mm)
- Easy access to all vital parts from the front
- Large door opening for easy loading & unloading

Options

- Aries Elite - Fully programmable
- Coin operated
- Stainless steel side panels
- USB plug (on the back panel)
- Liquid soap connection
- Liquid soap pumps
- Water recovery kit
- Steam heating version
- Drain pump (IA 80)
- 3rd water inlet
- 175 G-Factor



ERGONOMICAL
CONSTRUCTION



LARGE DOOR
OPENING



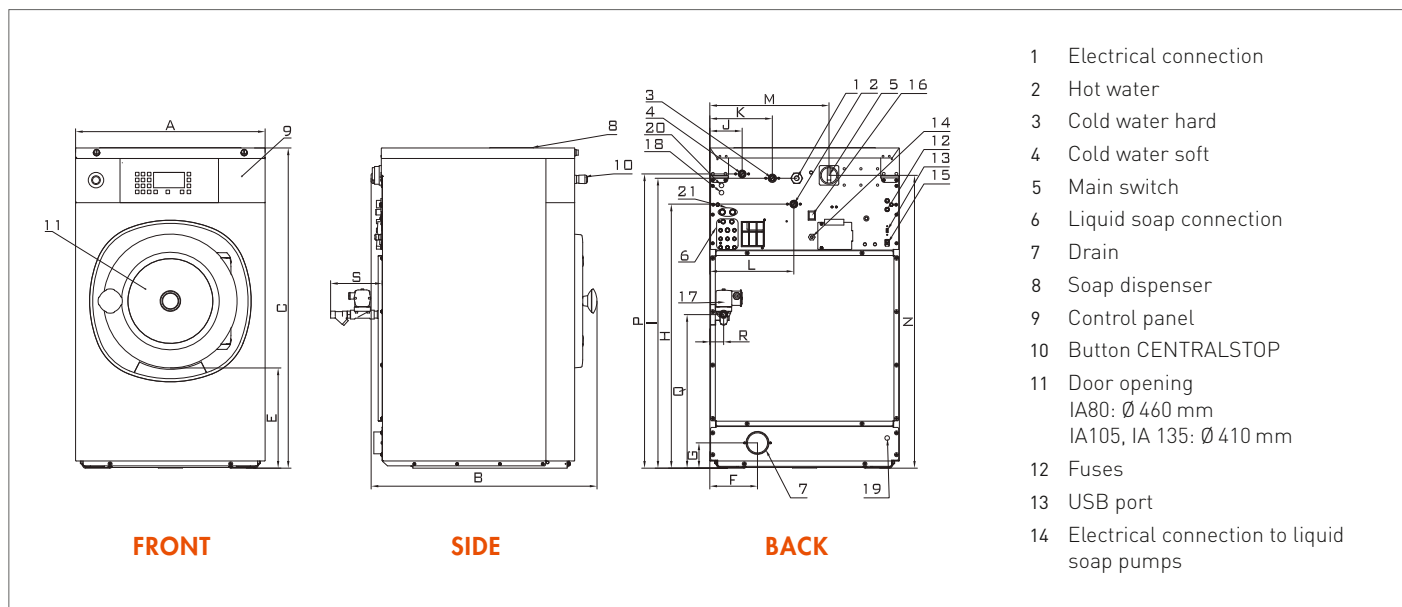
LOW WATER
CONSUMPTION



LOW ENERGY
CONSUMPTION

IA80-IA105-IA135

TYPE		IA80	IA105	IA135
INNERDRUM				
capacity	kg	8	11	14
volume	l	75	105	135
diameter	mm	530	620	620
DRUM SPEED				
wash	rpm	50	46	46
extraction	rpm	580 (100 G)-770 (175 G)	540 (100 G)-710 (175 G)	540 (100 G)-710 (175 G)
G-FACTOR		100 (optional 175)	100 (optional 175)	100 (optional 175)
HEATING				
electricity	kW	6	9	12
steam	bar	1 - 8	1 - 8	1 - 8
hot water	°C	90	90	90
SOUND PRESSURE LEVEL				
	dB (A)	< 65	< 65	< 65
WATER VALVES CONNECTION				
	BSP	3/4"	3/4"	3/4"
WATER PRESSURE				
	kPa	100-800	100-800	100-800
REC. WATER PRESSURE				
	kPa	300-500	300-500	300-500
WATER INLET				
	l/min	20	20	20
DRAIN VALVE OUTER				
	Ø mm	76	76	76
FLOW AMOUNT WITH DRAIN VALVE				
	l/min	210	210	210
STEAM VALVE CONNECTION				
	BSP	1/2"	1/2"	1/2"
STEAM PRESSURE				
	kPa	100-800	100-800	100-800
DIMENSIONS HxWxD				
	mm	1115x660x785	1225x750x785	1225x750x900
TRANSPORT DATA				
gross	kg	145	185	200
net	kg	135	170	190
packed HxWxD	mm	1245 x 710 x 835	1355 x 800 x 835	1355 x 800 x 950



DIMENSIONS

	A	B	C	D	E	F	G	H	I	J	K	L	M	N	O	P	Q	S
IA80	660	785	1115	676	349	166	88	920	1010	113	218	293	415	1020	1025	535	48	180
IA105	750	785	1225	676	342	225	98	1030	1120	113	218	338	505	1130	1135	480	42	192
IA135	750	900	1225	788	342	225	98	1030	1120	113	218	338	505	1130	1135	480	42	192
	width	depth	height															

IA80		
WATER CONSUMPTION	l/kg	7,2
ELECTRICITY CONSUMPTION	kWh/kg	0,19

* Program No 11