



HIGH-EFFICIENT SOFTMOUNT WASHER-EXTRACTORS

IY180
18KG

IY240
24KG

IY280
28KG

FEATURES

- Freestanding, high spin
- 400 G extraction speed (IY180, 240)
- Stainless steel top and front panel, black side panels
- Stainless steel drum and tub
- Patented soap hopper
- High capacity water inlets (IY280)
- Large drain valve (Ø 76 mm)
- Easy access to all vital parts from the front
- Large door opening for easy loading & unloading

OPTIONS

- Coin operated
- Stainless steel side panels
- USB plug and RS485 plug (ARIES / ARIES ELITE)
- Liquid soap connection
- Liquid soap pumps
- Water recovery kit
- Steam heating version
- 3rd water inlet
- High capacity water inlets (IY180, IY240)

CONTROL OPTIONS

- Aries (VEND only) – easy-to-use microprocessor
- Aries Elite (OPL only) – fully programmable
- Evolis (OPL/Vend)
 - o 7", full color touch screen display
 - o User-friendly screen with operating instructions built in as part of the control
 - o Complete control content available in 34 languages
 - o 15 wash cycles for OPL, 10 for Vend
 - o 11 easy-to-understand cycle modifiers
 - o Machine programming & firmware updates through cloud



ERGONOMICAL
CONSTRUCTION



LARGE DOOR
OPENING



LOW WATER
CONSUMPTION



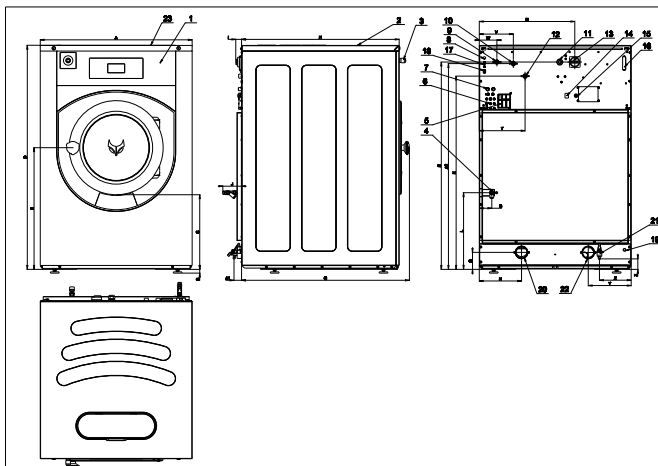
LOW ENERGY
CONSUMPTION

YOUR SMART LAUNDRY PARTNER

	IY180	IY240	IY280
INNERDRUM			
CAPACITY 10:1 (KG)	18	24	28
CAPACITY 9:1 (KG)	20	27	31
VOLUME (L)	180	240	280
DIAMETER (MM)	750	750	750
DRUM SPEED			
WASH (RPM)	42	42	42
EXTRACTION (RPM)	980	980	915
G-FACTOR	400	400	350
HEATING			
ELECTRICITY (KW)	12	18	22
STEAM (BAR)	1 - 8	1 - 8	1 - 8
HOT WATER (°C)	90	90	90
SOUND PRESSURE LEVEL (DB) (A)	< 65	< 65	< 65
WATER VALVES CONNECTION (BSP)	3/4"	3/4"	3/4"
WATER PRESSURE (KPA)	100-800	100-800	100-800
REC. WATER PRESSURE (KPA)	300-500	300-500	300-500
WATER INLET (L/MIN)	20	20	20-50
DRAIN VALVE OUTER (MM)	Ø 76	Ø 76	Ø 76
FLOW AMOUNT WITH DRAIN VALVE (L/MIN)	210	210	210
STEAM VALVE CONNECTION (BSP)	1/2"	1/2"	1/2"
STEAM PRESSURE (KPA)	100-800	100-800	100-800
TRANSPORT DATA			
GROSS WEIGHT (KG)	395	450	515
NET WEIGHT (KG)	380	430	495
PACKING DIMENSIONS H x W x D (MM)	1570 x 1025 x 1015	1570 x 1025 x 1150	1570 x 1025 x 1225

	A	B	C	D	E	F	G	H	I	J	K	L	M	N	O	P	Q
IY180	970	24	477	1430	777	335	960	872	48	90	1234	490	108,5	270	203	N/A	67
IY240	970	24	477	1430	777	335	1095	1007	48	90	1234	490	108,5	270	203	N/A	67
IY280	970	24	477	1430	777	335	1175	1087	48	90	1234	490	108,5	270	203	N/A	67
	width			height			depth										

	R	S	T	U	V	W
IY180	1324	80	293	610	218	113
IY240	1324	80	293	610	218	113
IY280	1324	80	293	610	218	113



- Control panel
- Soap dispenser
- Centralstop button
- Steam connection
- Air relieve
- Liquid soap connection
- Recycled water inlet
- Recycled water valve cable inlet
- Cold water inlet, soft
- Cold water inlet, hard
- Electrical connection
- Hot water inlet
- Main switch/Field wiring terminal (NA models)
- Heating change-over switch
- Liquid soap pump electrical connection
- Fuses
- USB port - optional
- PC programming connection
- Discharge water cable inlet
- Drain valve - 3 in. [76 mm]
- Drain Valve - 1/2", applicable for wash bath sample (on request only)
- Drain valve or recycle valve - 3 in. [76 mm] 280 L Models only
- Hidden USB port (under top cover) - standard